

Sky Screed™ 25



Somero is taking Concrete leveling to new heights.

Introducing the Somero® Sky Screed™ 25. Through advancements in technology and feedback from our customers, the Somero Sky Screed™ machine is the first Laser Screed® machine in the world to allow screeding on structural high-rise and slab-on-grade applications. The versatile articulating knuckle boom provides unparalleled versatility.

Labor Savings, Floor Quality and **Increased Productivity** are just a few of the benefits you will get using the Somero® Sky Screed™ machine. To reach over your projects and save time and money on your next project, get a Somero Sky Screed™ machine.

The lower frame has three (3) stabilizers. The upper frame and screed head rotate 360°, this provides the flexibility to screed around columns and other protrusions. The auger-less screed head allows for screeding in any direction, while the powerful vibrator motor consolidates the concrete. The elevation is controlled by Somero's OASIS laser control system. This Laser Screed® machine is powered by a 32.5 HP / 24.2 kW Kubota gasoline engine with electric start. The machine functions are controlled via wireless remote control.



FEATURES/BENEFITS:

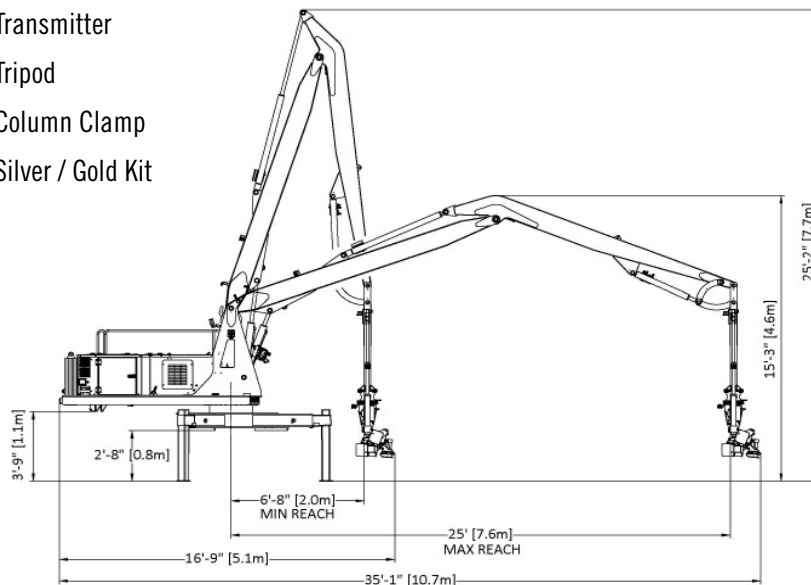
- > 25' / 7.6m Knuckle Boom
- > 8' / 2.6m Floating Vibrator Screed Head
- > 360° Machine Base/Screed Head Rotation
- > Set Up Jig
- > Auxiliary Power Unit
- > Column-Block Protection
- > On-board Pressure Washer
- > Lift Harness & Tag Line
- > OASIS Laser Control System
- > Somero Quick GradeSet System™
- > Patented Self Leveling System (SLS)
- > Wireless Remote Control
- > Programmable Quick Pass
- > Automatic Hydraulic Oil Warming
- > Storage
- > Positioning Buckets

SPECIFICATIONS:

WEIGHT	9,000 lbs (4,100 kg)
WIDTH	8' 2" (2.47 m) (transport mode)
HEIGHT	7' 10" (2.39 m) (transport mode)
LENGTH	25' (7.62 m) (transport mode)
ENGINE	32.5 HP Kubota (24.2 kW)
SCREED HEAD WIDTH	8' (2.4 m)
BOOM REACH	25' (7.6 m)

**OPTIONS:**

- Transmitter
- Tripod
- Column Clamp
- Silver / Gold Kit

**WHAT OUR CUSTOMERS SAY:**

“Working with the Sky Screed [25] we were able to save 90 minutes on our deck with 5 fewer men.”

Randy Bergakker– *Kent Companies*

